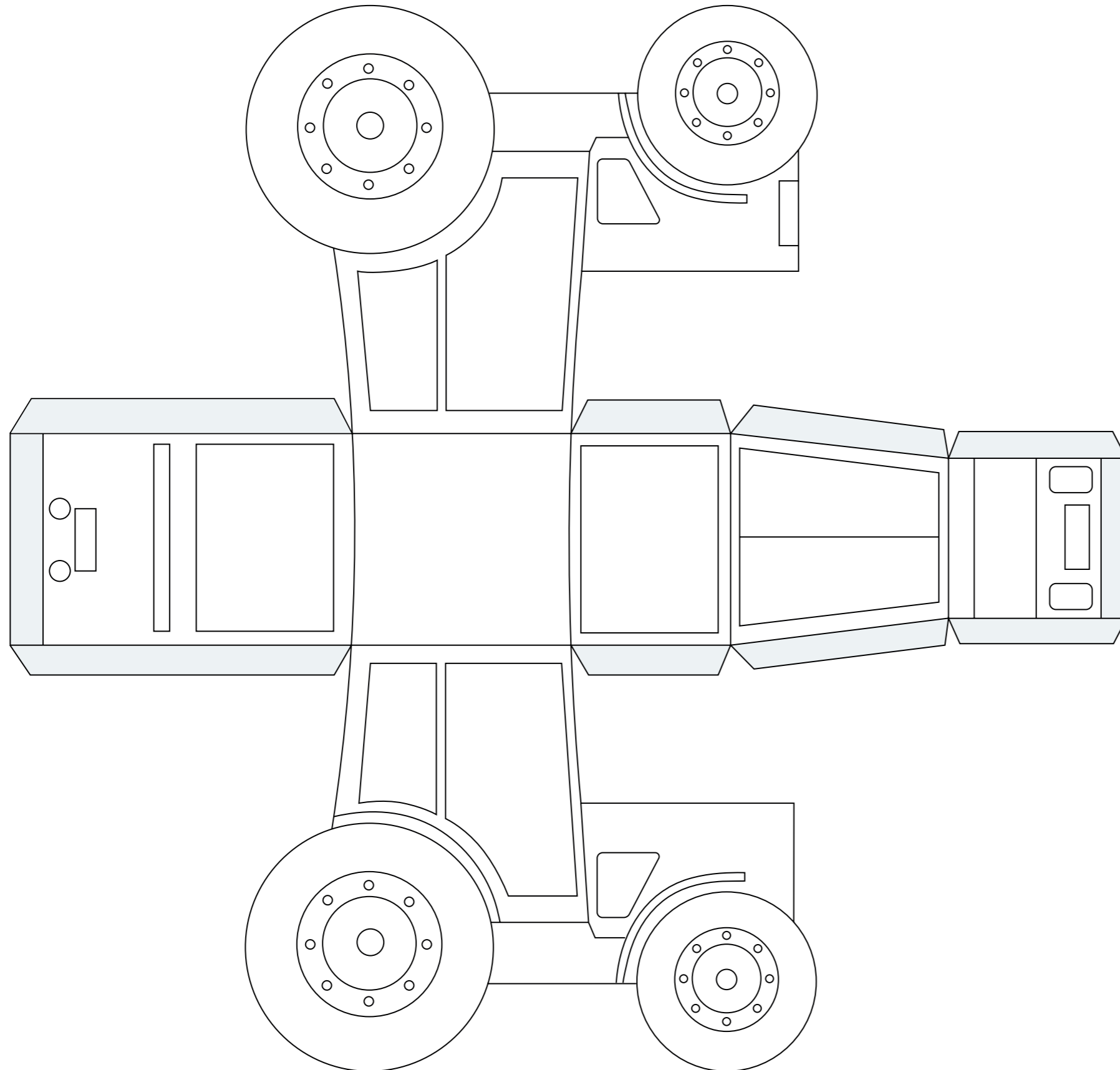


# Harvest tractor: Cut out model



## Build your own tractor for harvest

Using the net for the tractor, draw your own design and learn why we use tractors to harvest our crops.

### Activity instructions

1. Decorate the tractor using coloured pens and pencils.
2. Cut along the outside lines with scissors.
3. Fold firmly along the inside lines, fold the tabs in and your tractor will start to take shape.
4. Apply glue or tape to the tabs.  
Tip: start with one side, attach the side tabs to the panel next to it.
5. Once all tabs are secure and align properly, fold the top and bottom flaps down along the dashed lines.

### How do tractors help farmers harvest?

Tractors role for harvest season is to cart corn from the combine harvester to the grain store. The bigger tractors are used to prepare the soil for the following crop.

